



Model Number

NJ15+U1+DW1-10

Features

- Rotational speed controller
- 15 mm flush
- Start-up override time = approx. 30 s

Accessories

- MH 04-2681F**
Mounting aid for VariKont, +U1+ and +U9*
- V1-M20-80**
Receptacles, M12/M20; plastic version
- V1-G**
Female connector, M12, 4-pin, field attachable
- V1-W**
Female connector, M12, 4-pin, field attachable

Technical Data

General specifications

Switching element function	PNP NO contact
Frequency range	1 ... 10 Hz , adjustable
Rated operating distance	s_n 15 mm
Installation	flush
Output polarity	DC
Assured operating distance	s_a 0 ... 12.15 mm
Reduction factor r_{AI}	0.4
Reduction factor r_{Cu}	0.3
Reduction factor r_{304}	0.85

Nominal ratings

Operating voltage	U_B 15 ... 60 V DC
Reverse polarity protection	reverse polarity protected
Short-circuit protection	pulsing
Voltage drop	U_d \leq 2 V
Operating current	I_L 0 ... 100 mA
No-load supply current	I_0 \leq 25 mA
Switching state indicator	LED 1: yellow
Damping indicator	LED 2: yellow

Functional safety related parameters

MTTF _d	820 a
Mission Time (T _M)	20 a
Diagnostic Coverage (DC)	0 %

Ambient conditions

Ambient temperature	-25 ... 70 °C (-13 ... 158 °F)
---------------------	--------------------------------

Mechanical specifications

Connection type	screw terminals
Information for connection	A maximum of two conductors with the same core cross-section may be mounted on one terminal connection! tightening torque 1.2 Nm + 10 %
Core cross-section	up to 2.5 mm ²
Minimum core cross-section	without wire end ferrule 0.5 mm ² , with connector sleeves 0.34 mm ²
Maximum core cross-section	without wire end ferrule 2.5 mm ² , with connector sleeves 1.5 mm ²
Housing material	PBT
Sensing face	PBT
Degree of protection	IP67

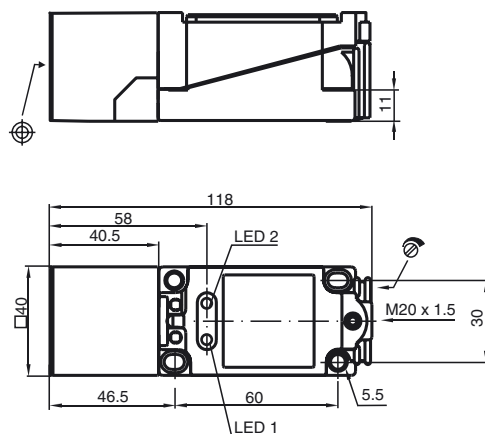
Compliance with standards and directives

Standard conformity	
Standards	EN 60947-5-2:2007 IEC 60947-5-2:2007

Approvals and certificates

UL approval	cULus Listed, General Purpose
CSA approval	cCSAus Listed, General Purpose
CCC approval	Certified by China Compulsory Certification (CCC)

Dimensions



Electrical Connection

